

## auto electrical parts

### Technical Information Sheet

#### Part No. 0-444-59

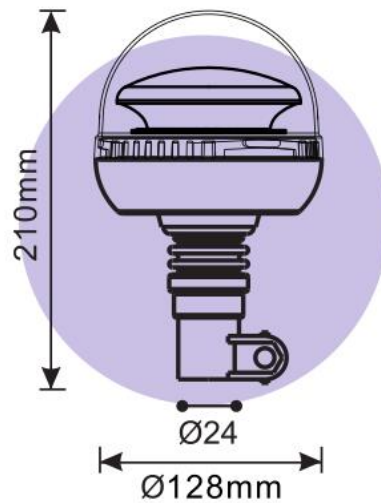
Durite Beacon. SMD LED, 12/24VDC Flexi  
DIN Mount. IP56. Single, Double and  
Rotating Flash. 125+/- 1rpm for single flash  
250+/- 1rpm for double flash. ECE R65 +  
R10 EMC

#### Additional Information:

To select flash pattern remove lens by  
turning anti clockwise, then select flash  
pattern by pressing the momentary switch.



#### Technical Drawing (not to scale)



#### Specification

|                       |                         |
|-----------------------|-------------------------|
| Type                  | LED Beacon Flexi DIN    |
| Voltage rating        | 12/24V (DC)             |
| Power                 | 20W                     |
| Current               | 0.75A @ 12VDC           |
| No. Of LED's          | 45 SMD LED's            |
| Operating temperature | -30 / +50 °C            |
| Material              | PC Lens, ABS Housing    |
| Dimensions            | See above diagram       |
| Approvals             | E Mark ECE R65, EMC R10 |
| Protection            | IP56                    |

The information contained in this document is correct to the best of our knowledge at the time of printing. However, specifications may change at any time without notice.